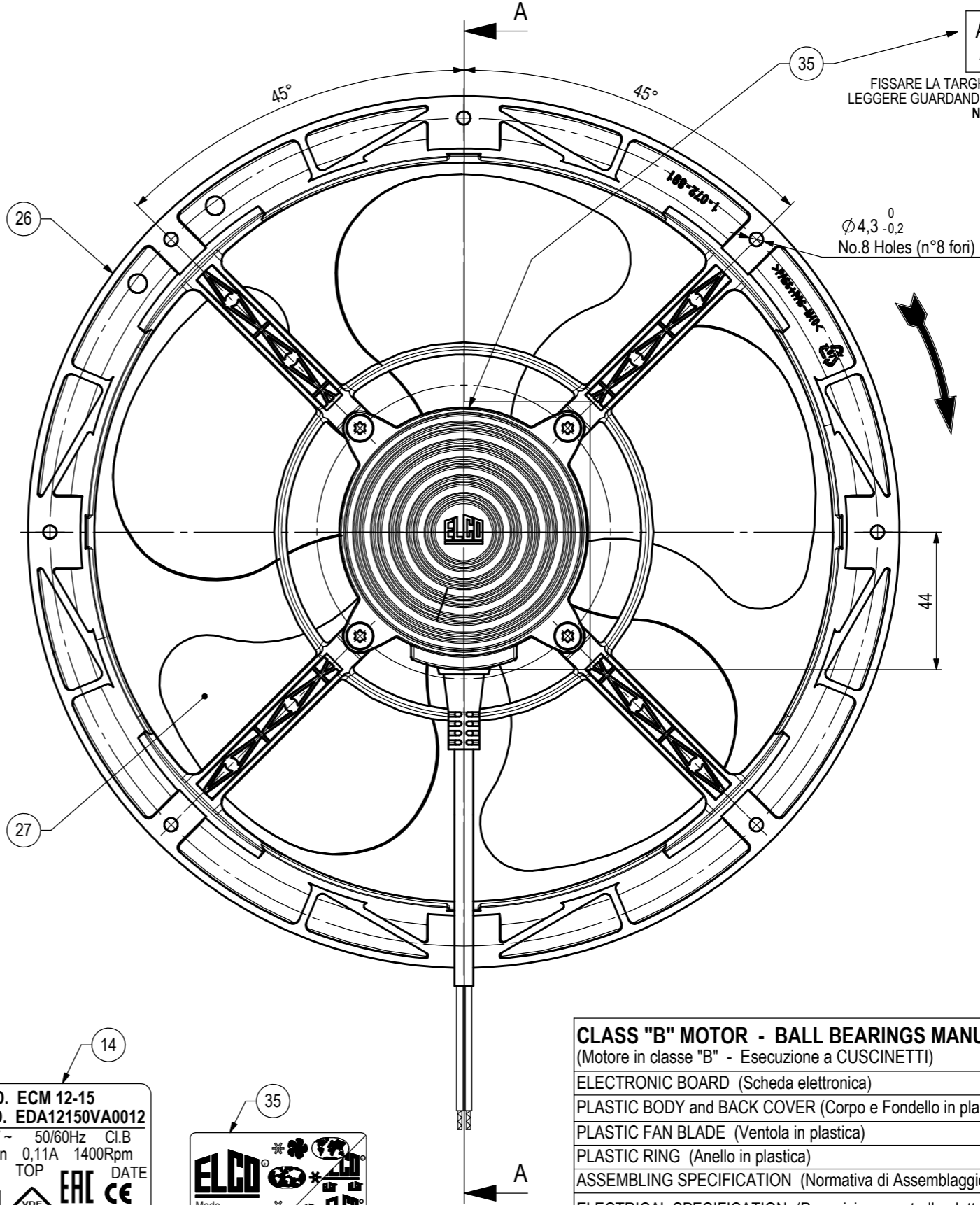
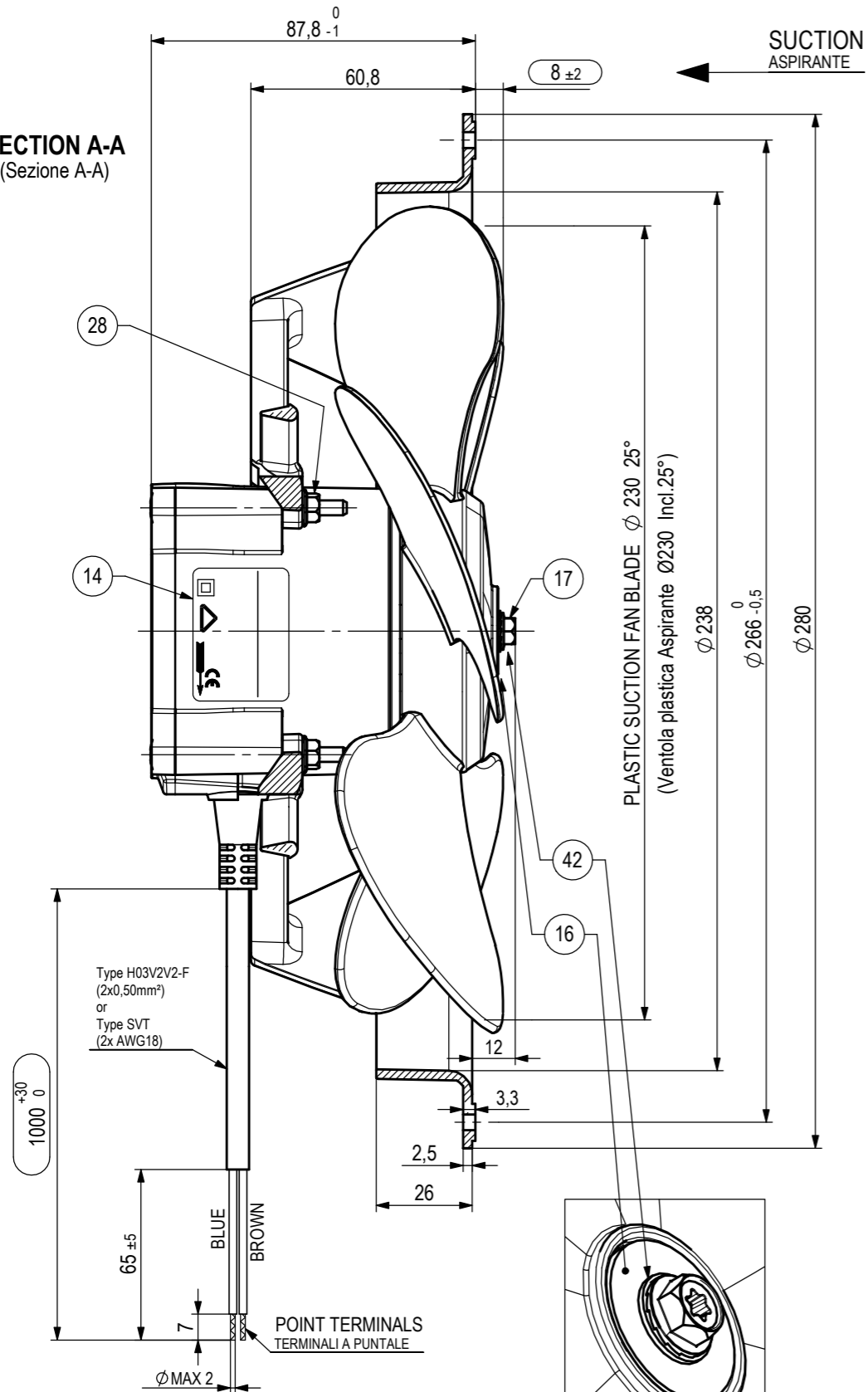


SECTION A-A
(Sezione A-A)



MOD. ECM 12-15
COD. EDA12150VA0012
230V ~ 50/60Hz Cl.B
14Win 0,11A 1400Rpm
IP65 TOP DATE
EHL CE
REG. Nr. 0552



CLASS "B" MOTOR - BALL BEARINGS MANUFACTURED (Motore in classe "B" - Esecuzione a CUSCINETTI)	
ELECTRONIC BOARD (Scheda elettronica)	1/2H - 1500Rpm
PLASTIC BODY and BACK COVER (Corpo e Fondello in plastica)	-
PLASTIC FAN BLADE (Ventola in plastica)	-
PLASTIC RING (Anello in plastica)	-
ASSEMBLING SPECIFICATION (Normativa di Assemblaggio)	EL.UN.0098
ELECTRICAL SPECIFICATION (Prescrizione controllo elettrico)	M.2109/1

Rel.	Date	Description	Excutor signature	Checked
A	05-12-17	Updated graphics of screws protrusion (M4x50 was M4x45) - Aggiornato grafica sporgenza viti (unificato semilavorato c/vite M4x50RMT 17/0018 A.T.)	M.Cazzaniga	E.Crippa

MODIFICATIONS

For dimension without tolerance see standard UNI EN 22768-mK	Treatment	A3
Material		
ELCO	Drawn M.Cazzaniga	VENTIL. ECM 12 230V IP65 V A230
	Date 15/09/16	230V 50/60Hz 1500Rpm
	Check E.Crippa	PROTECTION DEGREE IP65
	Scale ---	Weight gr. _____
		Ref. No EBA12150VA0012
		Release A
		EDA12150VA0012